

Sensor-switched LED floodlight

XLED slim S

Anthracite
EAN 4007841 012052
Article number 012052



LED

30 years (0 4,5h / day)

3000 K

3000K warm-white



infrared sensor
160°



max. 8 m



IP44



2 - 1000 lux



2 sec - 70 min



Light source not
exchangeable



Control gear not
exchangeable



ideal 2 m

Function description

Light meets elegance. Elegantly designed sensor LED floodlight XLED slim S with 7,2 W, ideal for building entrances and pathways, pleasant and effective light (648 lm) requiring very little energy, sensor reach of up to 8 m.

Technical specifications

Dimensions (L x W x H)	201 x 66 x 241 mm	Reach, radial	r = 4 m (22 m ²)
With lamp	Yes, STEINEL LED system	Reach, tangential	r = 8 m (89 m ²)
With motion detector	Yes	Photo-cell controller	Yes
Manufacturer's Warranty	3 years	Cover material	sticker
Settings via	Potentiometers	Luminous flux total product	648 lm
Version	Anthracite	Measured luminous flux (360°)	648 lm
PU1, EAN	4007841012052	Total product efficiency	90 lm/W
Application, place	Outdoors	Colour temperature	3000 K
Application, room	outdoors, all round the building, terrace / balcony	Colour variation LED	SDCM3
Colour	Anthracite	Lamp	LED cannot be replaced
Includes corner wall mount	No	LED life expectancy (max. °C)	50000 h
Installation site	wall	Service life LED L70B50 (25°)	> 60000 h
Installation	Wall, Surface wiring	Drop in luminous flux in accordance with LM80	L70B10
Impact resistance	IK03	LED cooling system	Active and Passive Thermo Control
IP-rating	IP44	Soft light start	No
Protection class	I	Time setting	2 s – 70 Min.
Ambient temperature	from -20 up to 40 °C		

<https://www.steinell.de>

Subject to technical modifications

05.2025 Page 1 from 3

Sensor-switched LED floodlight

XLED slim S

Anthracite

EAN 4007841 012052

Article number 012052



Technical specifications

Housing material	Aluminium
Cover material	Plastic, transparent
Mains power supply	220 – 240 V / 50 – 60 Hz
Mounting height max.	4,00 m
Sneak-by guard	Yes
Electronic scalability	No
Mechanical scalability	No

Main light adjustable	No
Interconnection	No
Output	7,2 W
Colour Rendering Index CRI	= 82
Optimum mounting height	2,2 m
Detection angle	160 °
Product category	Sensor-switched LED floodlight
Energieeffizienzklasse Lichtquelle	F

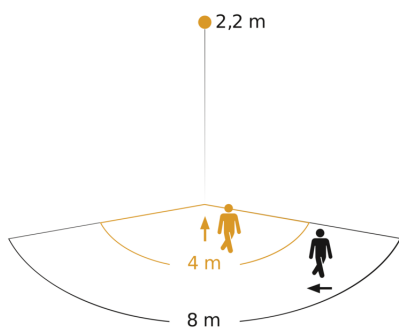
Sensor-switched LED floodlight

XLED slim S

Anthracite
EAN 4007841 012052
Article number 012052

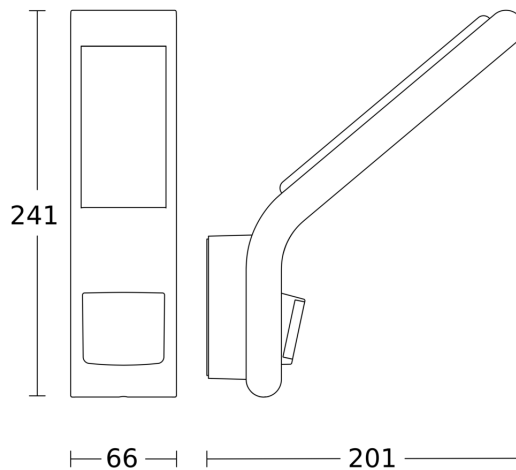


Detection Zone



Possible mounting height: 1,80 m - 4,00 m
Orange: radial
Black: tangential

Dimension Drawing



Circuit diagram

